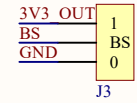
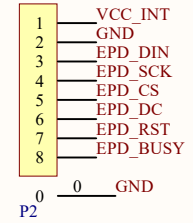
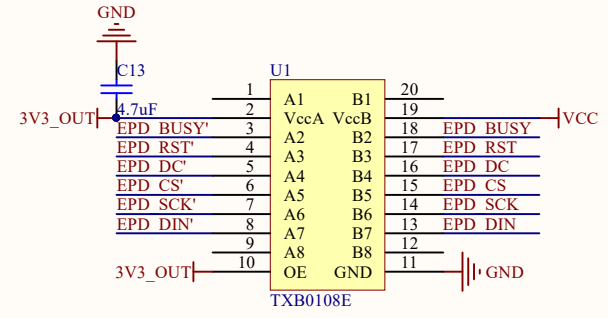
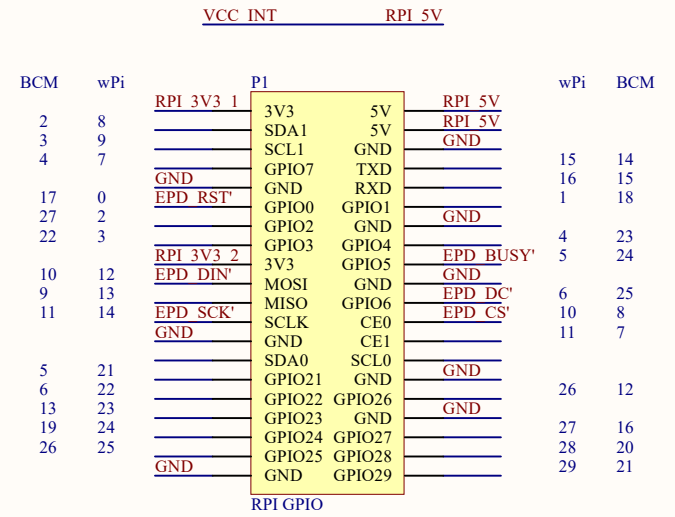
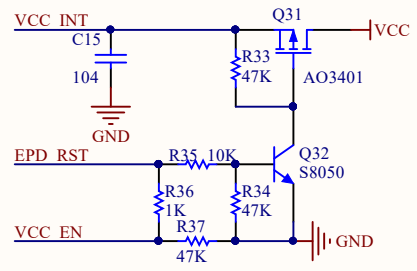
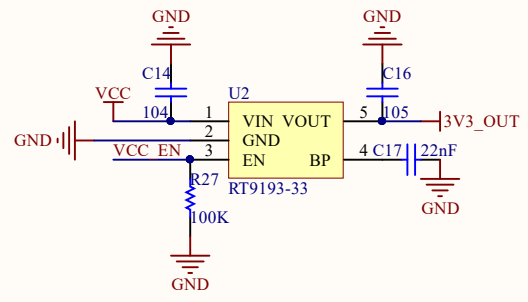
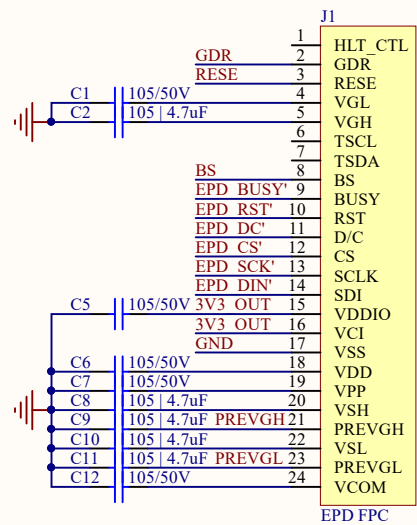


A (R2)	B (R1)
3R	0.47R



BS	VCC	GND
Interface	3-line SPI	4-line SPI



e-Paper Driver HAT

V2.2