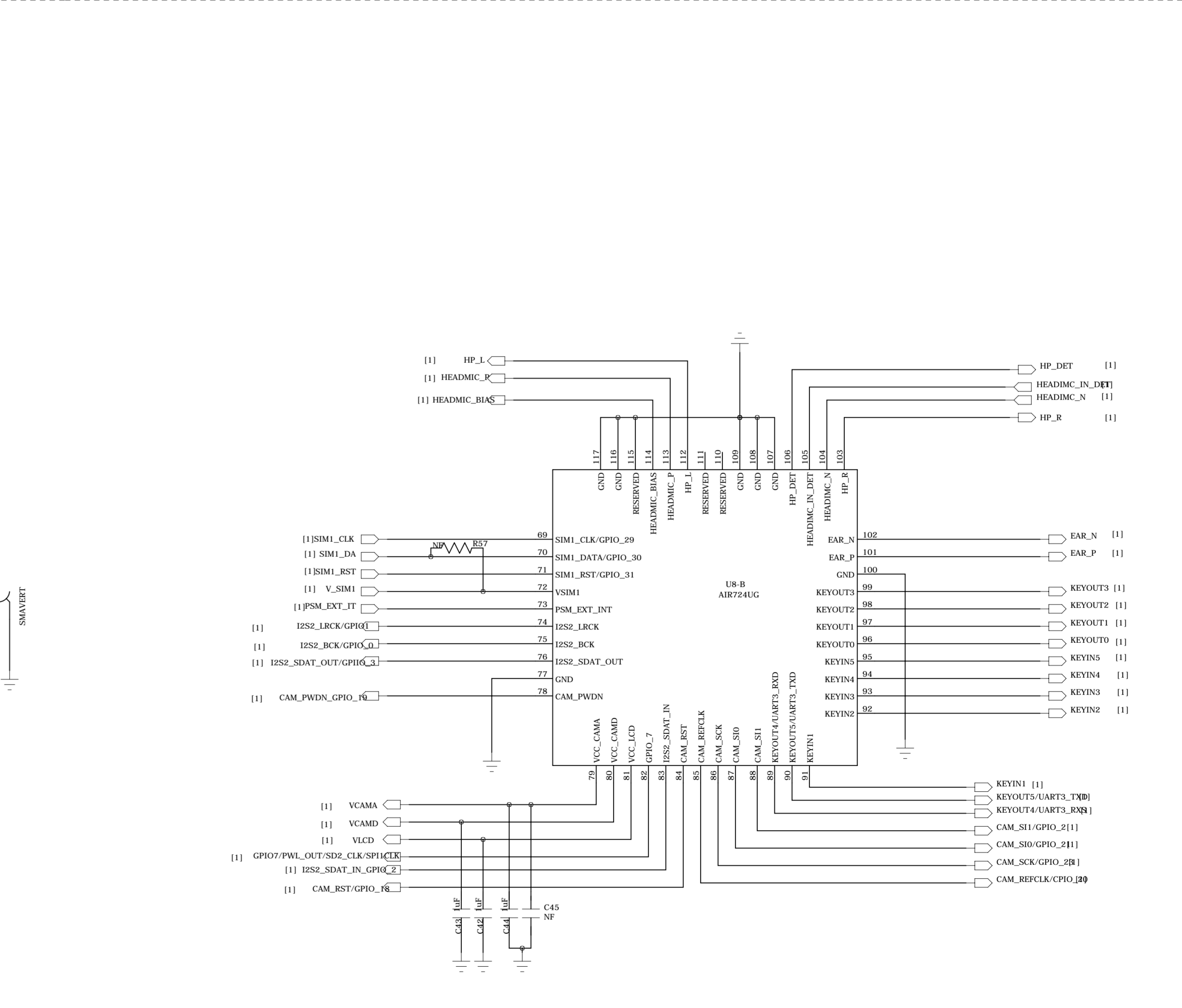
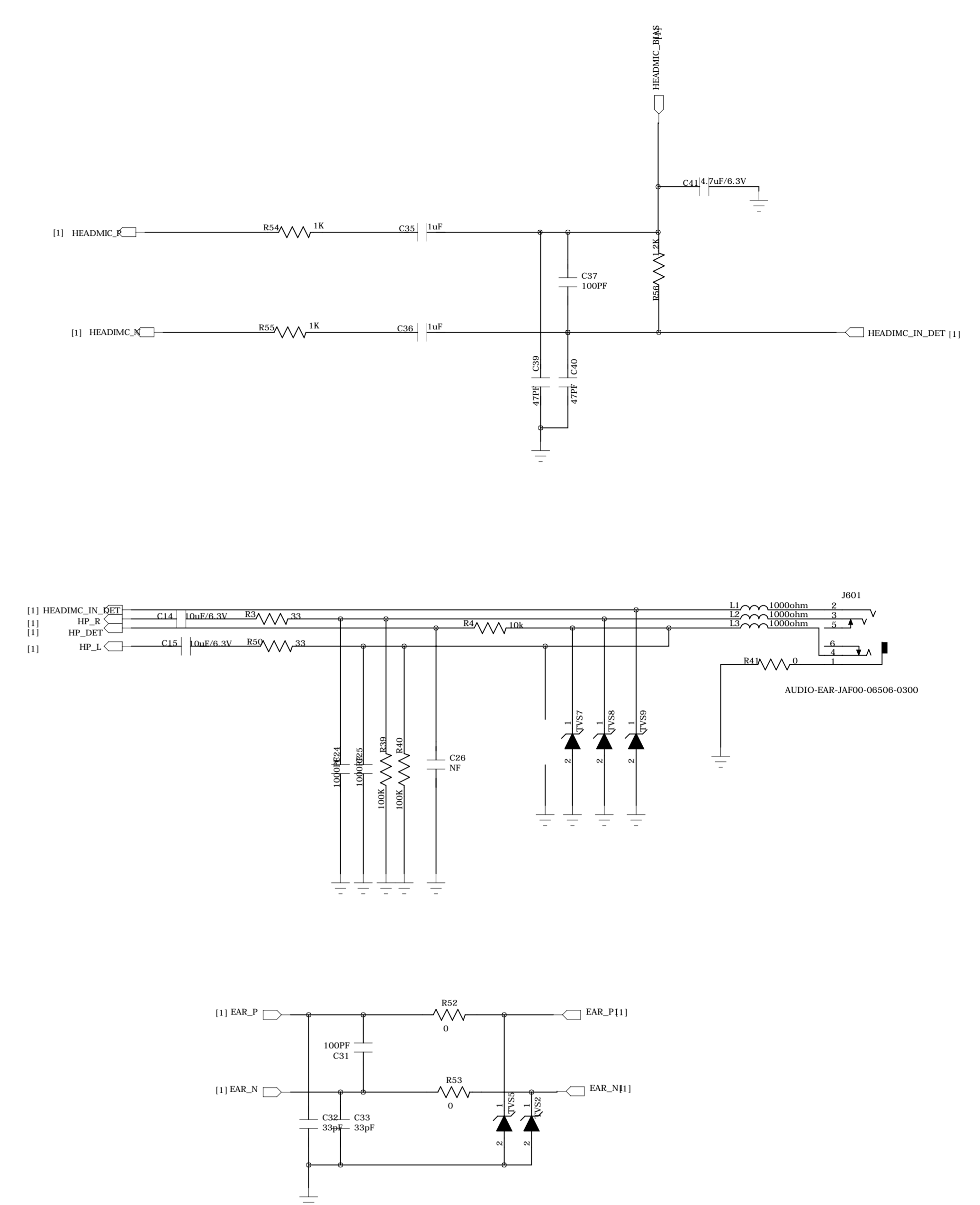
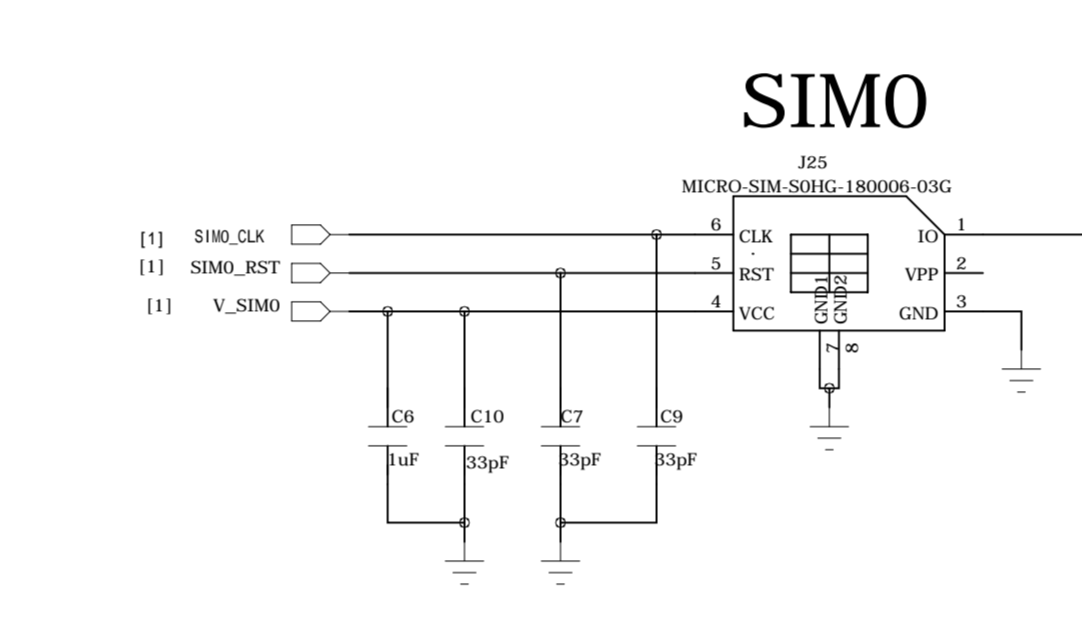
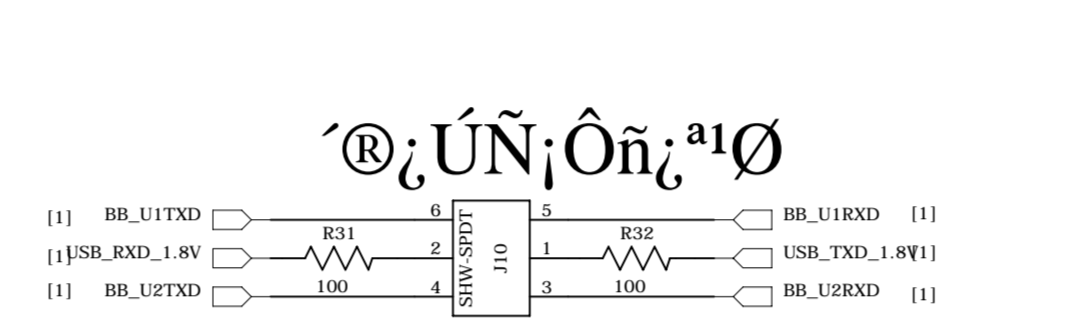
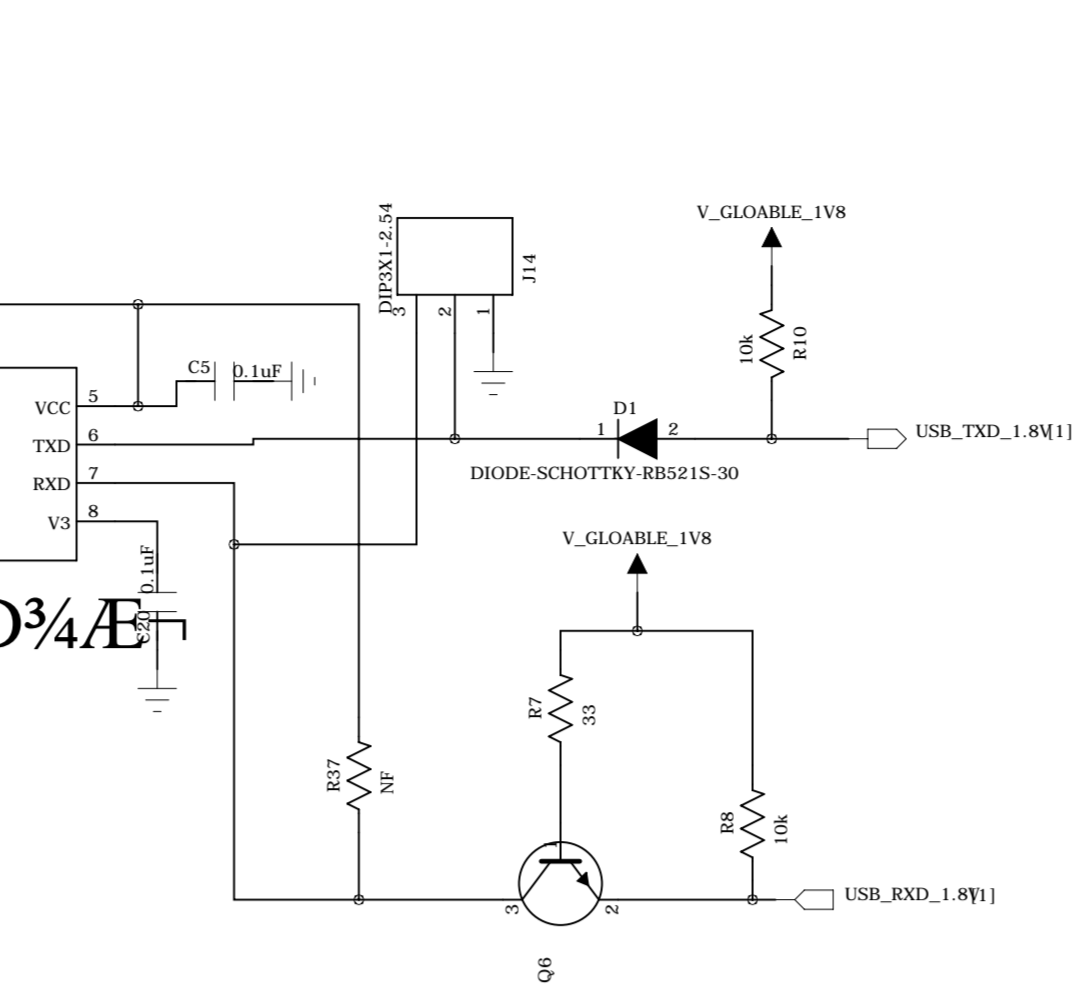


REVISION RECORD			
TR	ECO NO.	APPROVED	DATE

AUDIO



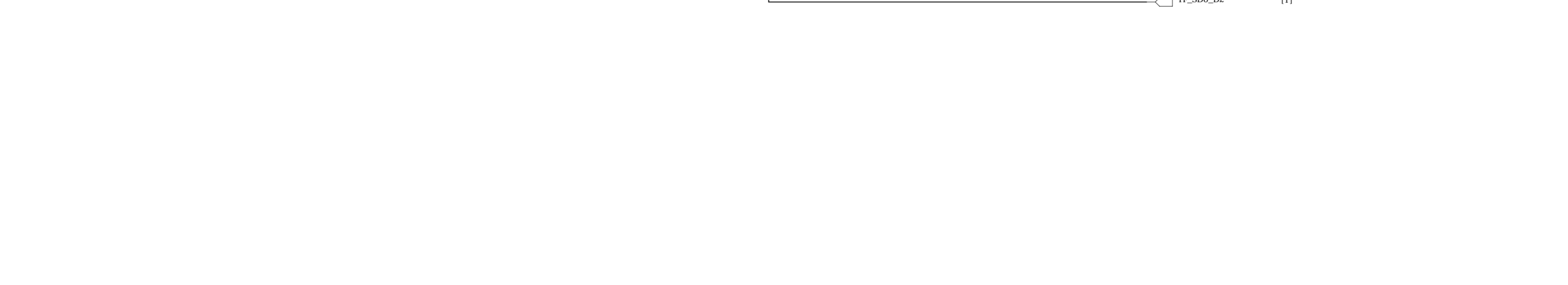
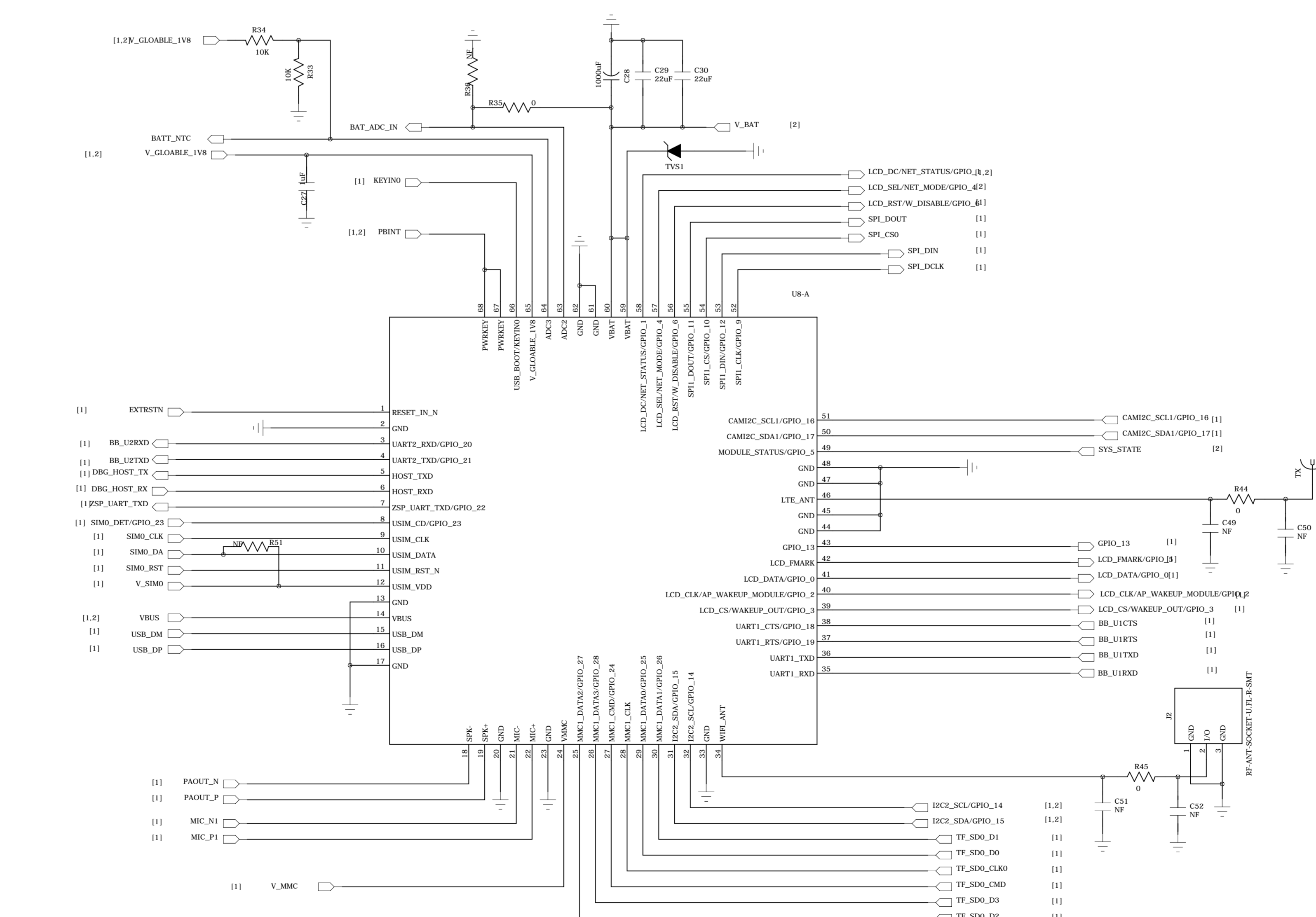
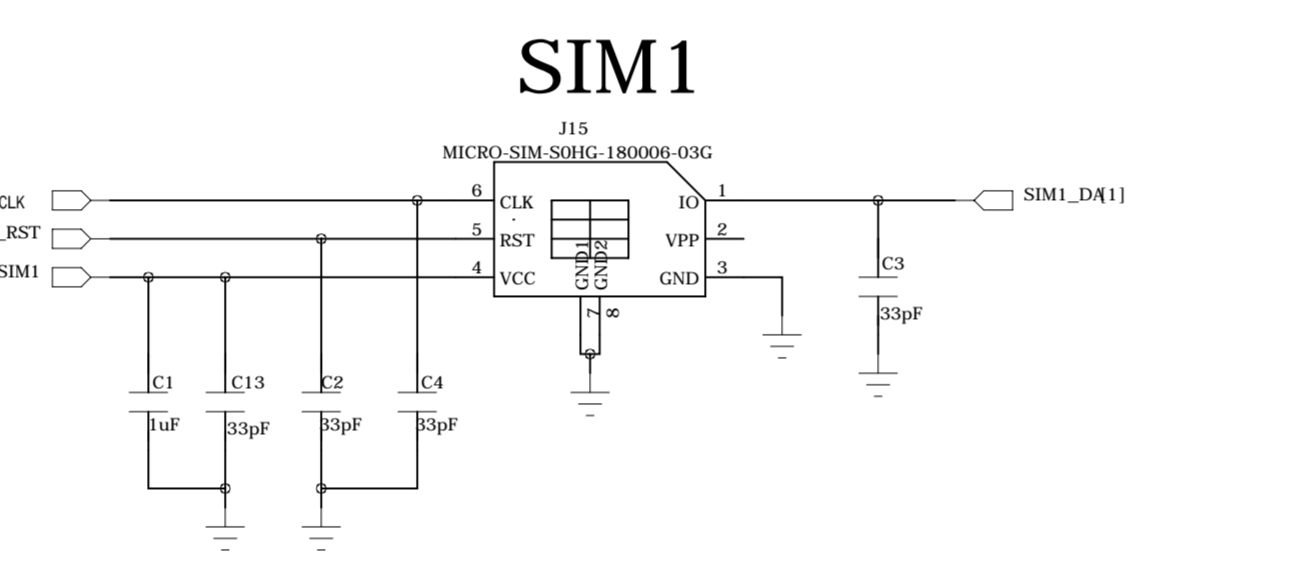
COMPANY:		< Company Name >	
TITLE:		Ca-01	
DRAWN:	DATED:	CODE:	SIZE:
CHECKED:	DATED:	DRAWING NO.:	REV.:
QUALITY CONTROL:	DATED:	N/A	A0
RELEASED:	DATED:	N/A	1.0.0
SCALE: N/A		SHEET: 1 of 2	



USB

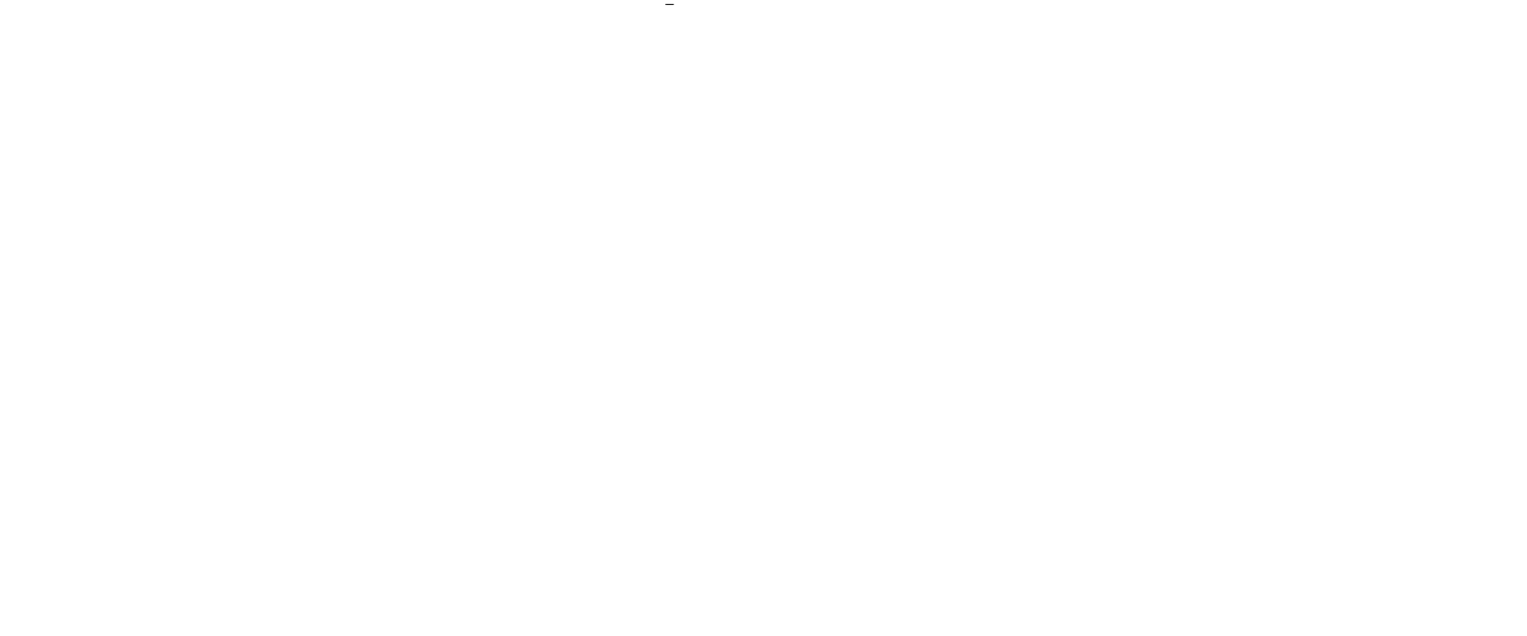
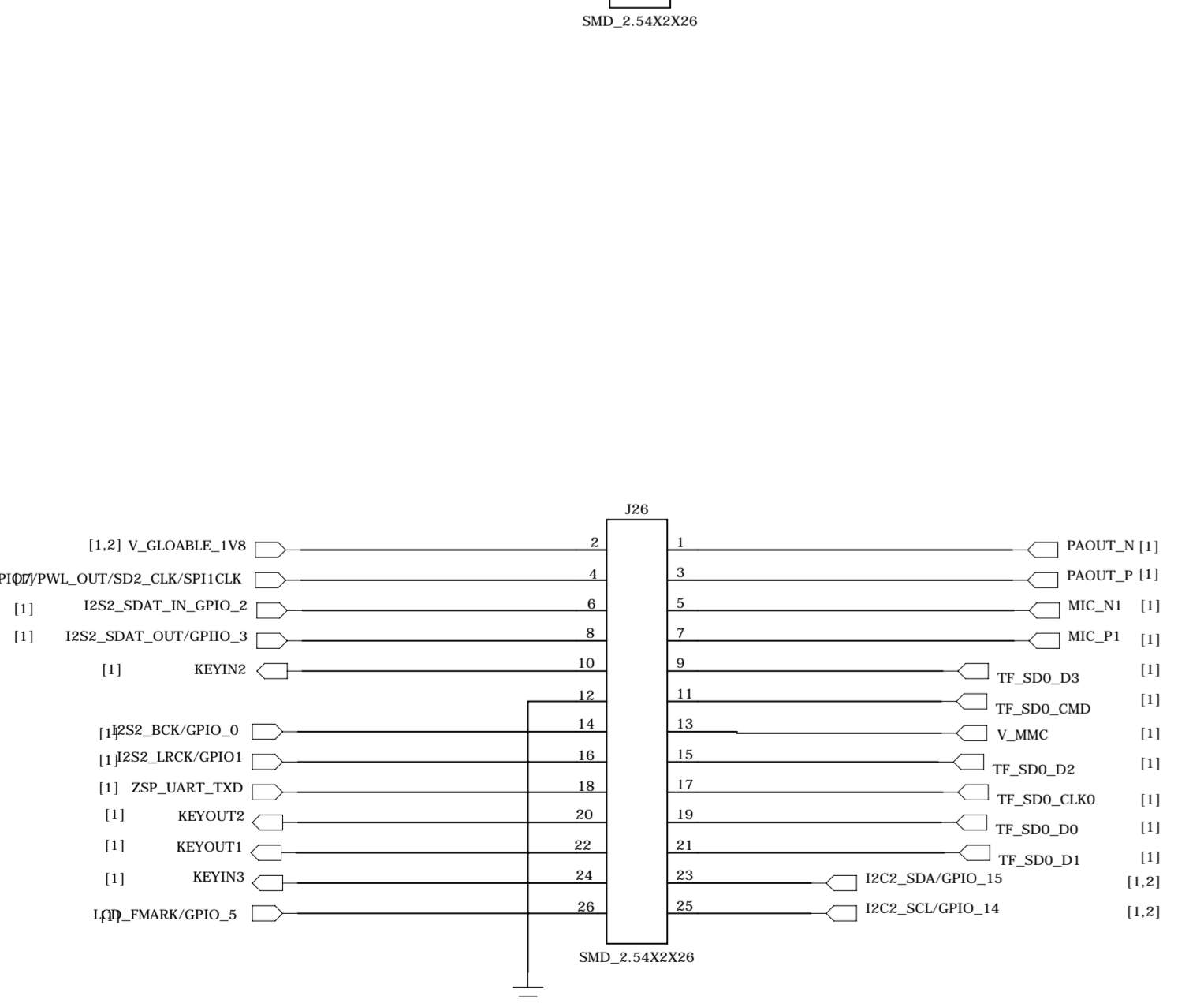
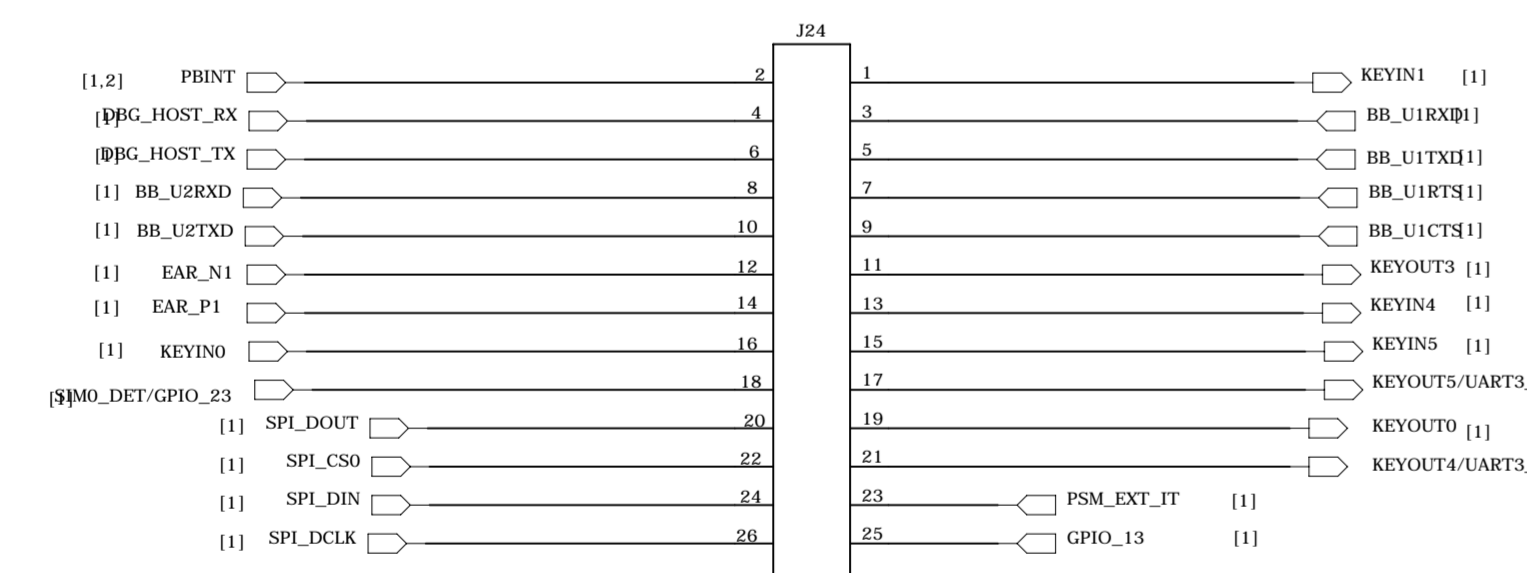
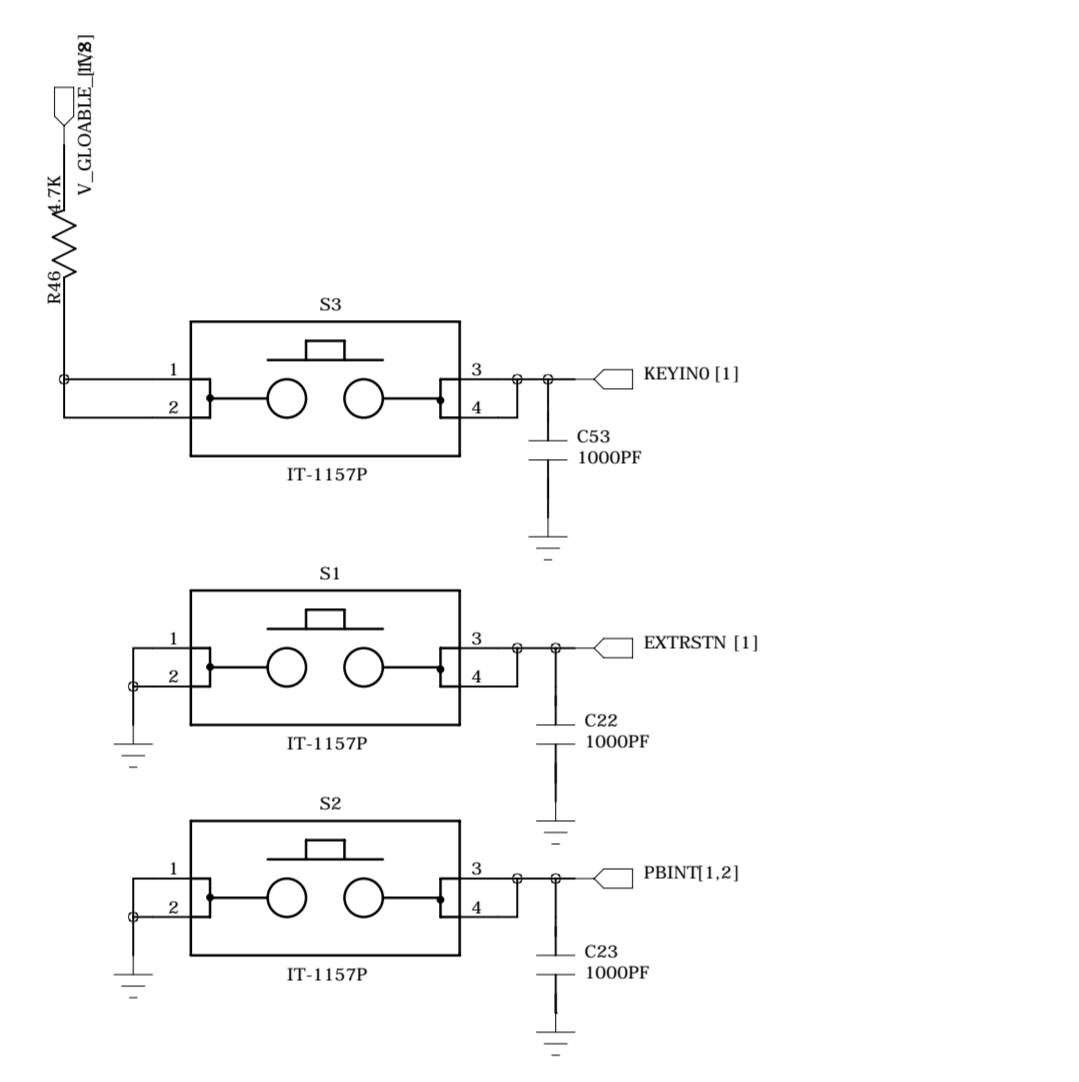
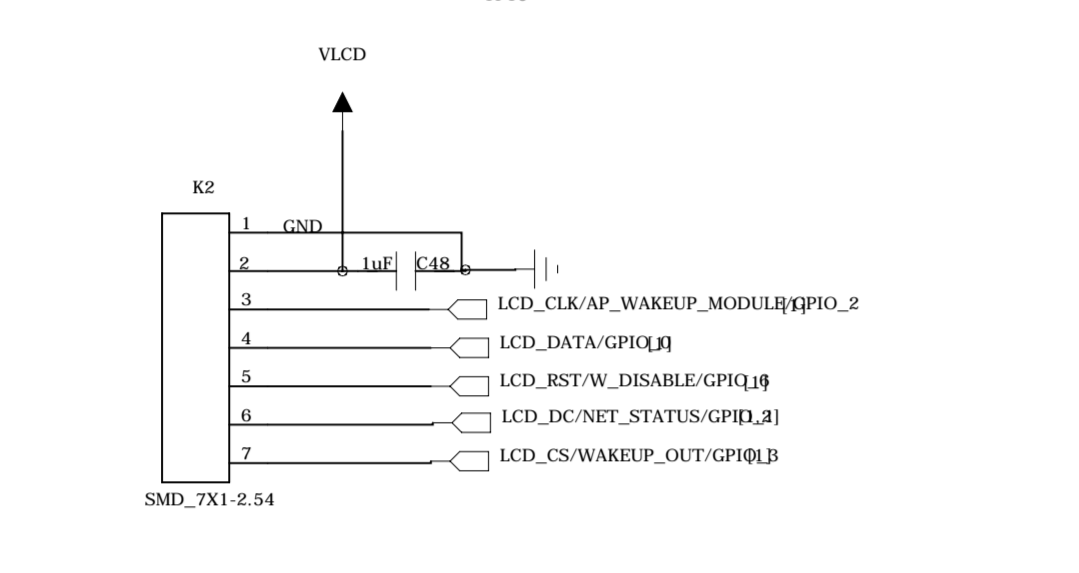
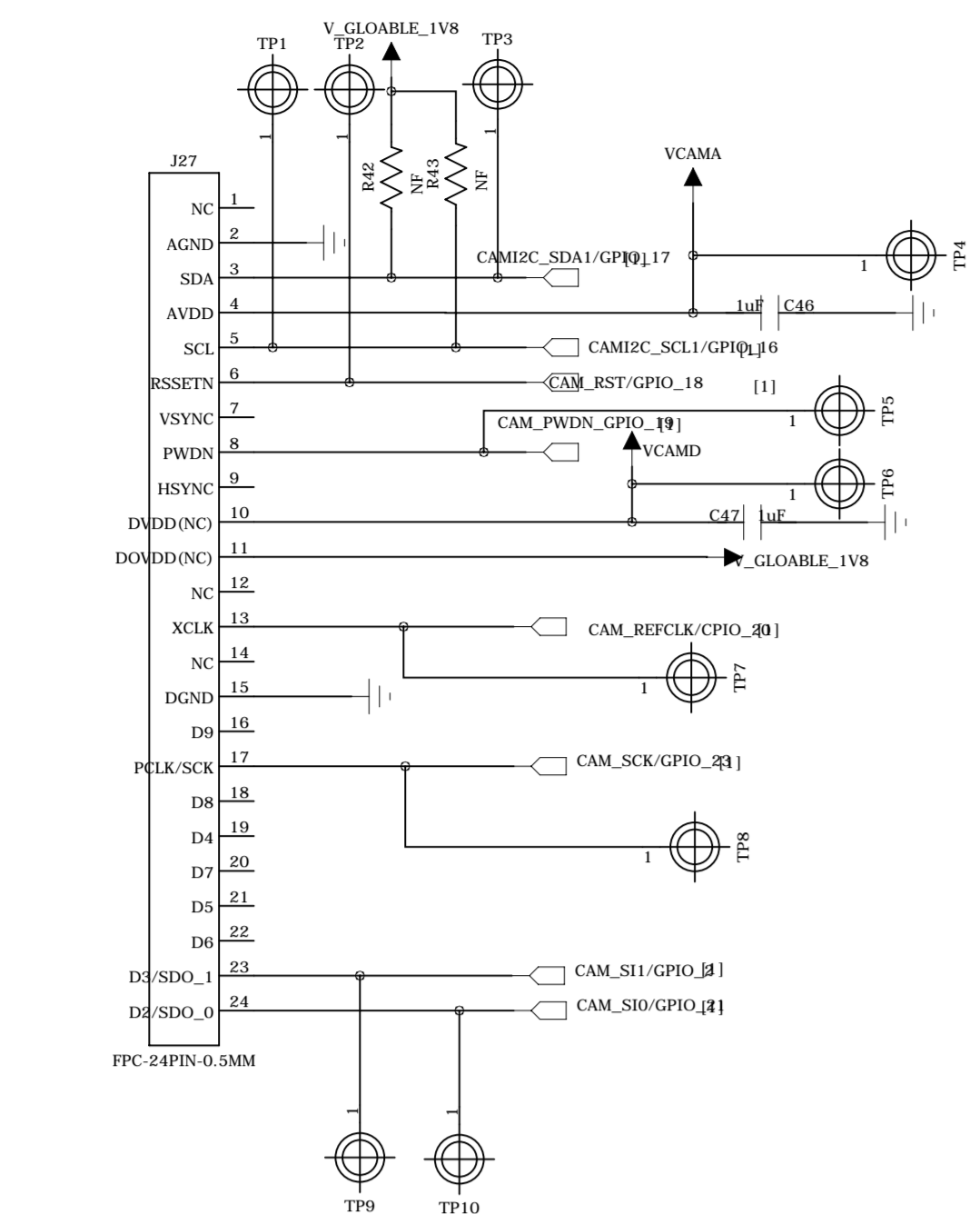
USB

SIM



CAMERA

LCD



D

C

B

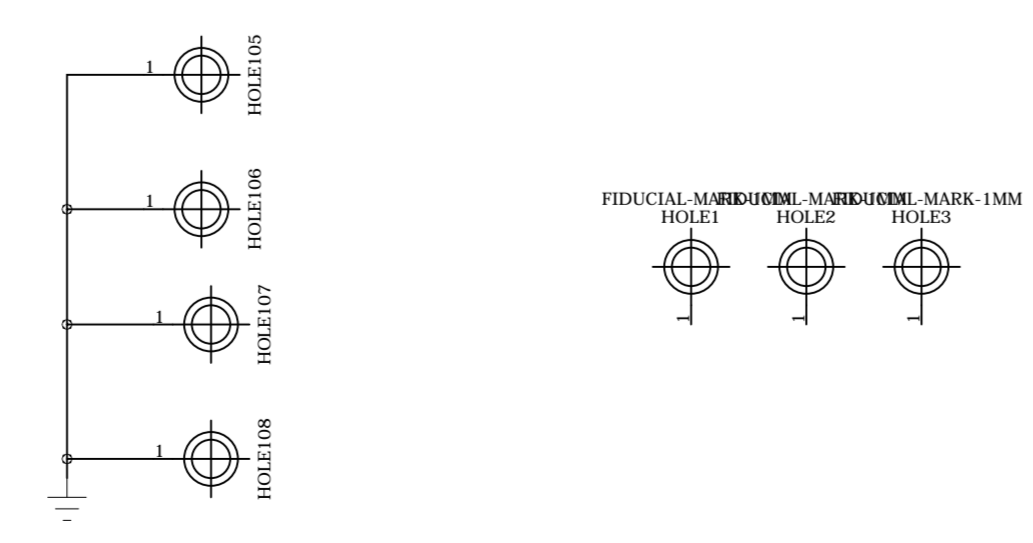
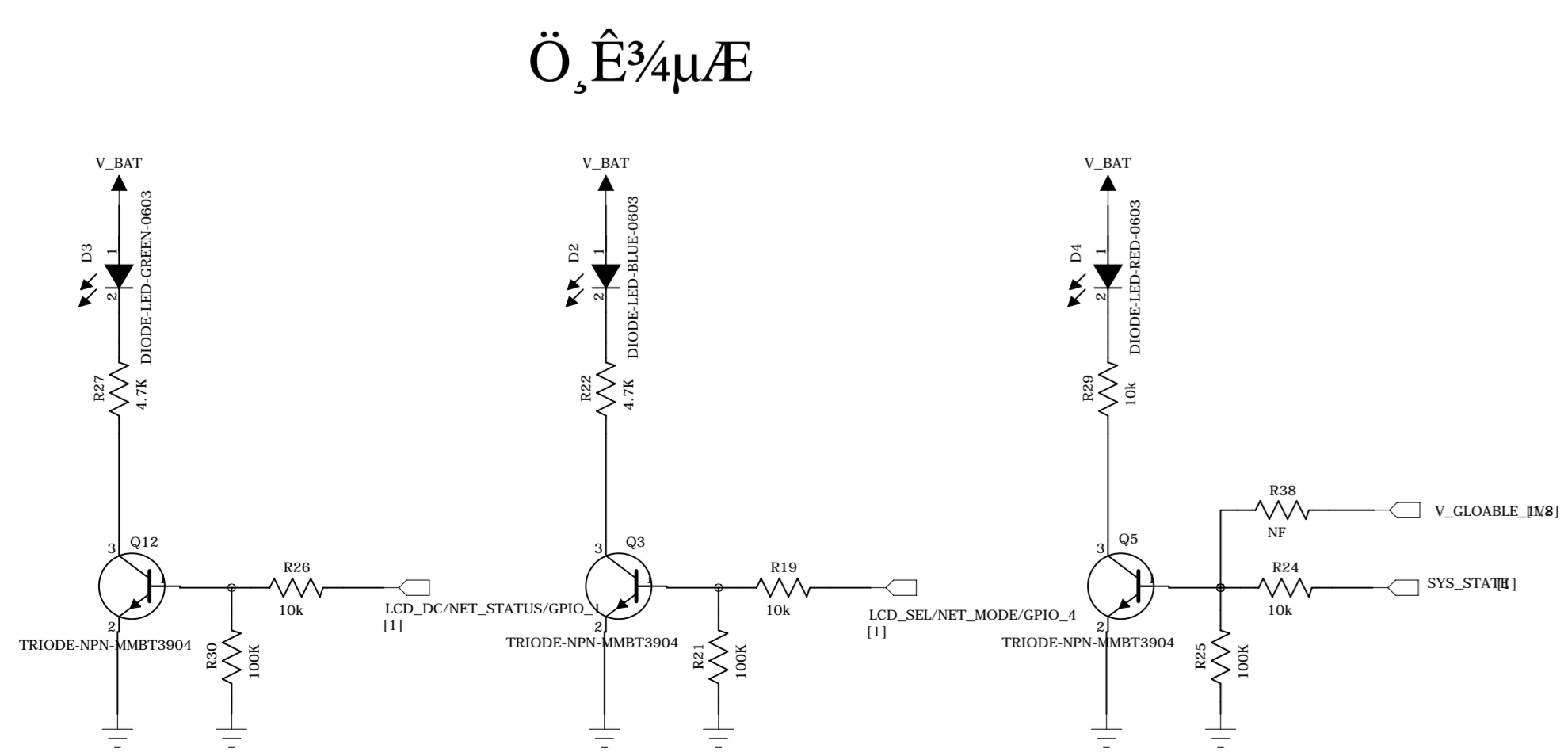
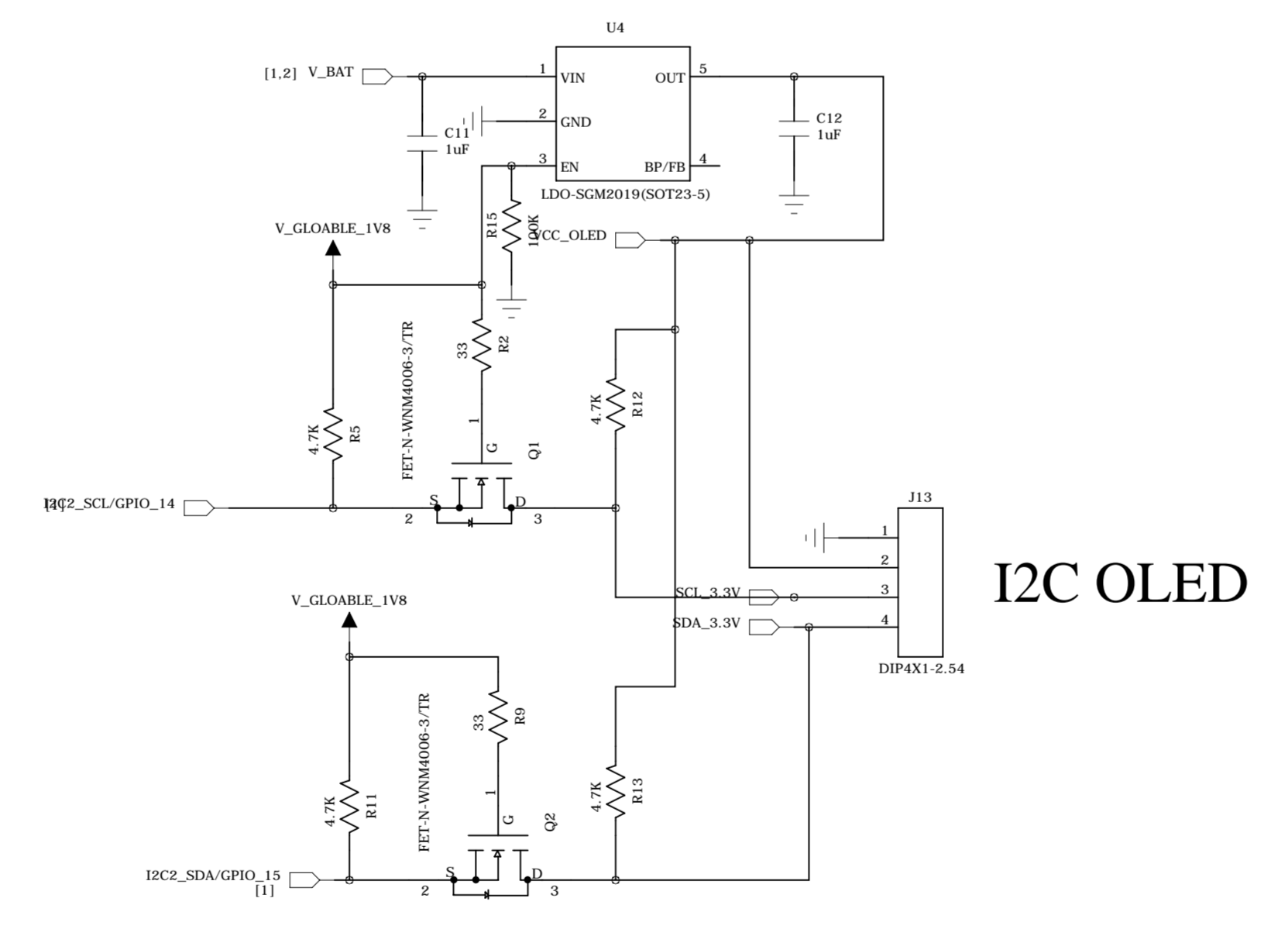
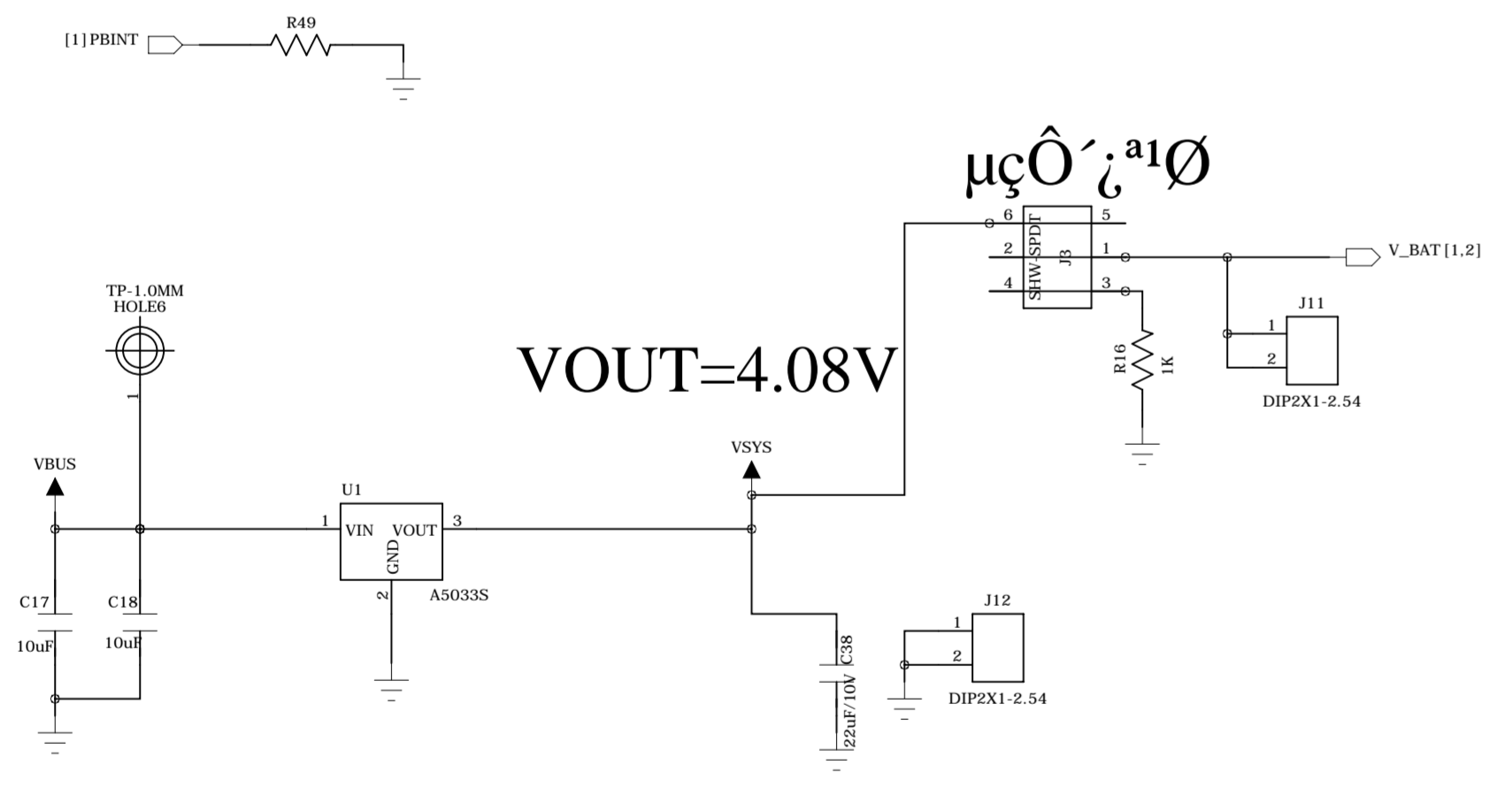
A

D

C

B

A



TITLE	Ca-01	REV	A11
DOCUMENT NO.	POWER	SIZE	A0
DEPARTMENT	Hardware DEPT.		
COMPANY	AirM2M		
DESIGNER	Lookanghan	Last Saved Date	2020/6/2
		SHEET	2 OF 2