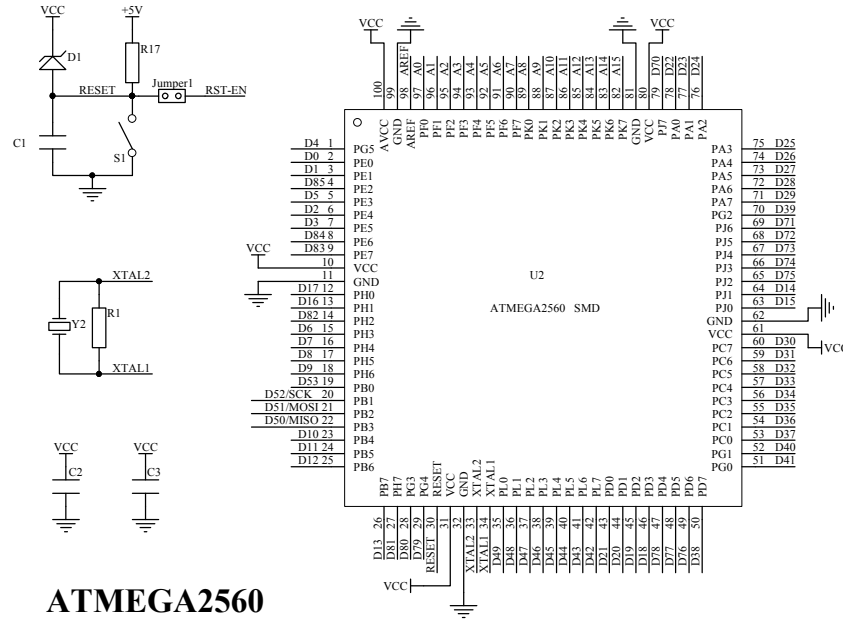
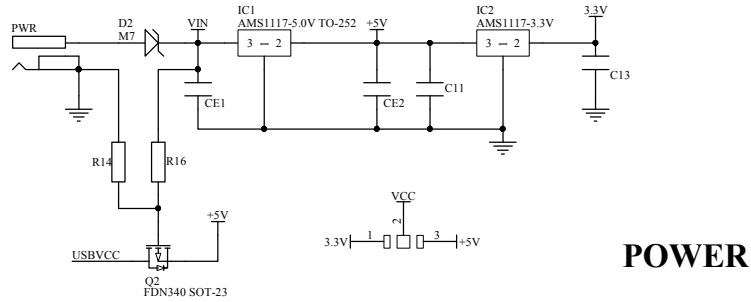


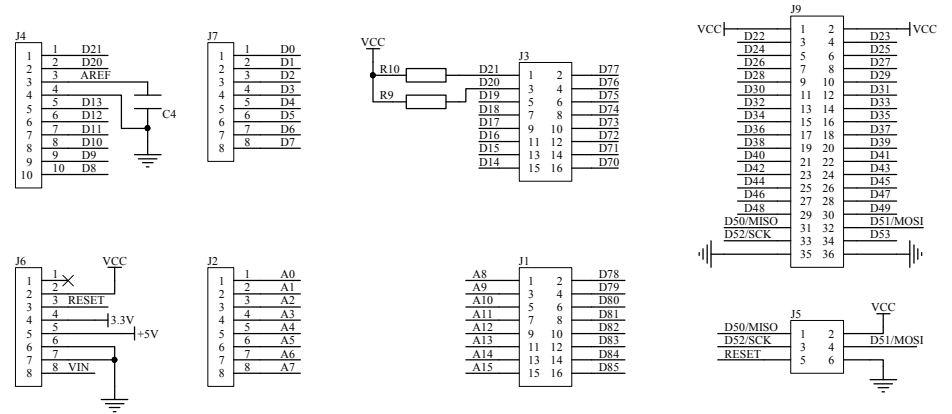
CP2104



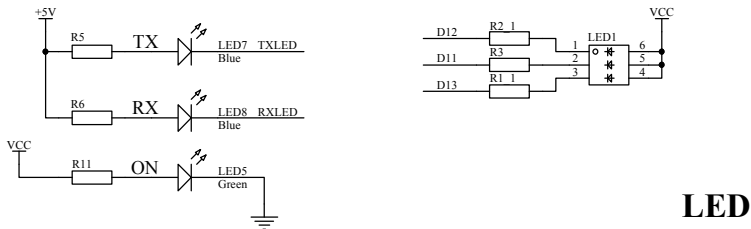
ATMEGA2560



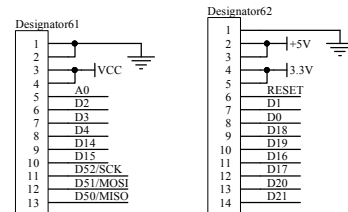
POWER



Pin-Header



LED



MegaXPRO R3 - Mega 2560 R3 ATmega2560-16AU,
USB-UART CP210x, 86 I/O, 5V/3.3V