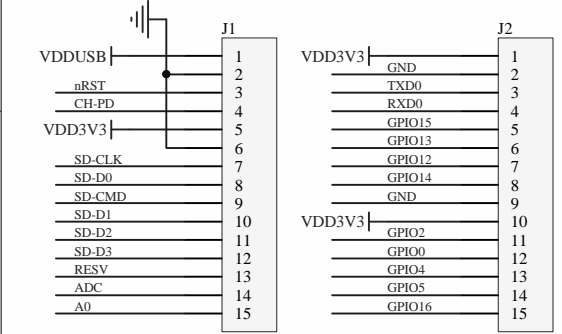
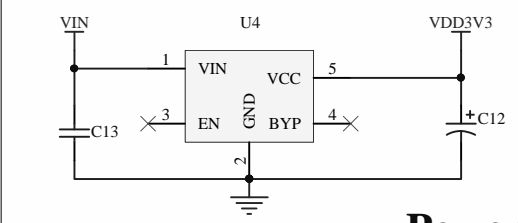


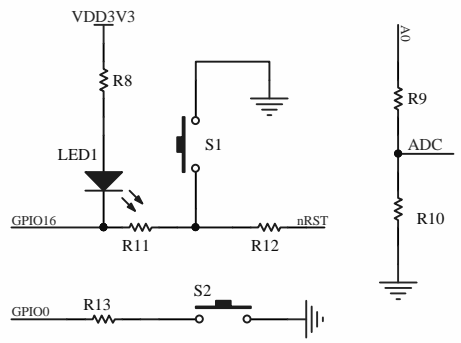
### USB Serial Communication Unit



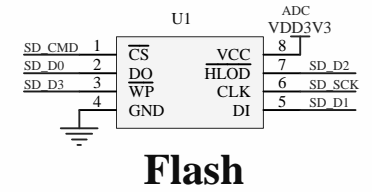
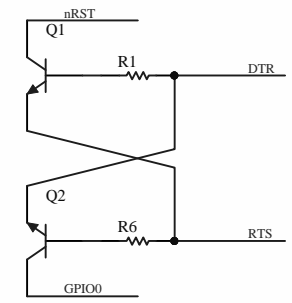
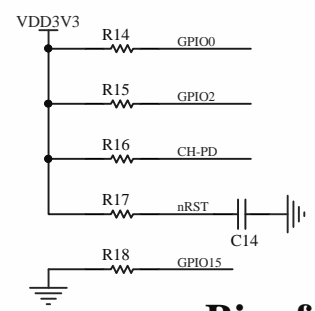
### I/O Ports



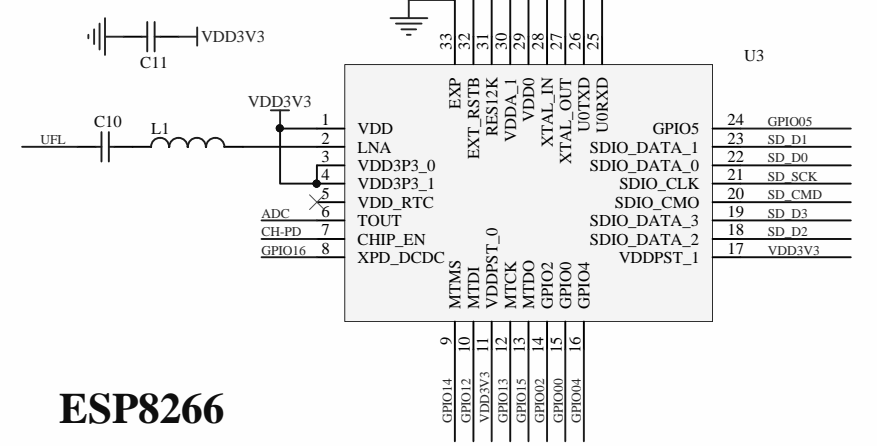
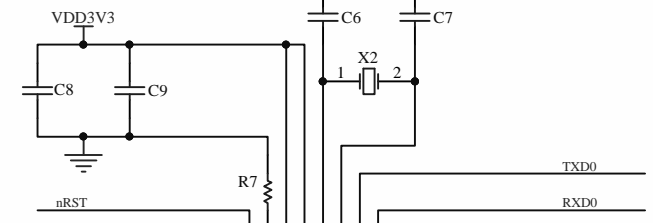
### Power



### Bias for I/Os



### Flash



### ESP8266

**NODEMCU**  
**ESP8266+CH340G**