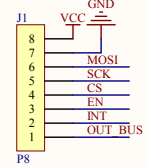
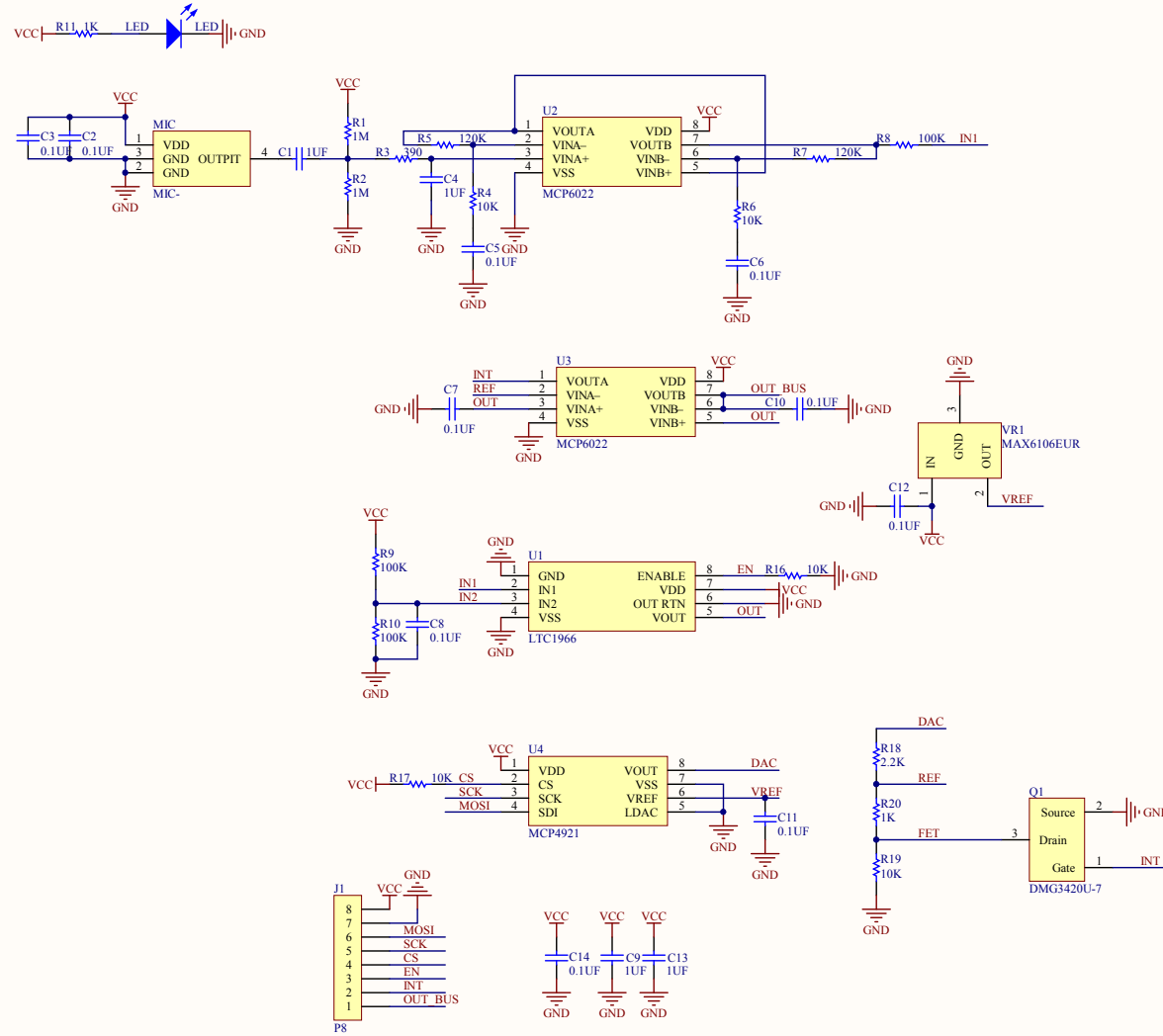


CJMCU-6164



Title		
Size A3	Number	Revision
Date: 2018/8/6	Sheet of	
File: H:\ \CJMCU-6164.SchDoc	Drawn By:	