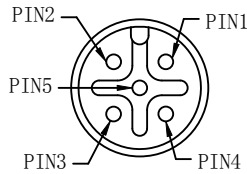
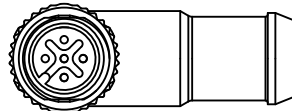
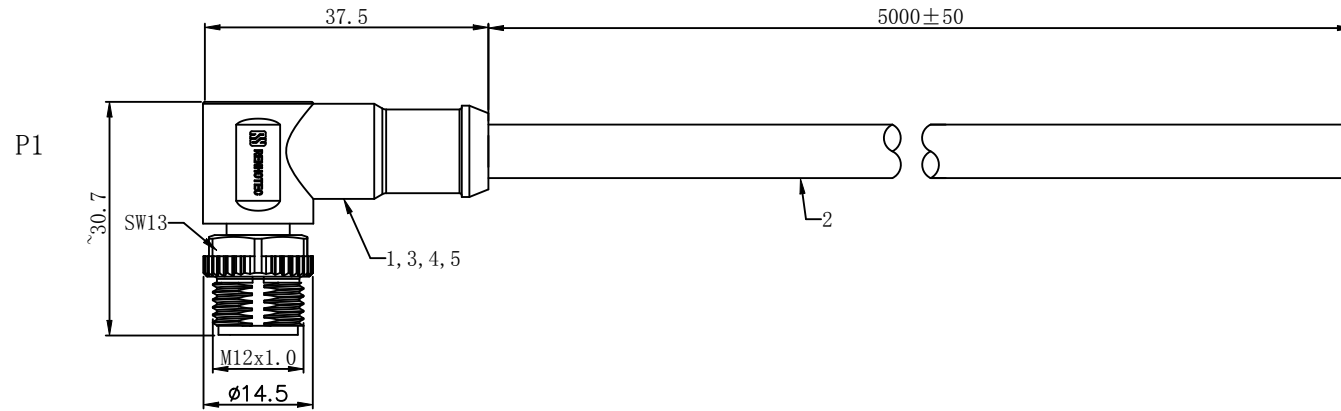




ISSUE	DESCRIPTION	DWN	DATE	APPROVEN
R1.0	First issue	Ding	2024.03.15	JIM.KING



Pin Assignment  
Front View

P1 Wire List	
PIN 1	brown
PIN 2	white
PIN 3	blue
PIN 4	black
PIN 5	grey

- Specifications:
- IP rating: IP67
  - Ambient temperature: -25°C~+80°C
  - Mating endurance: >500cycles
  - Rated voltage: 60V AC/DC
  - Rated current:4A
  - Contact resistance: ≤5mΩ
  - Insulation resistance: ≥100 MΩ

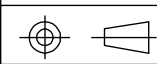
5	Molding	PVC, Black	1
4	Screw	Zinc, nickel plated	1
3	Contact	brass, gold plated	5
2	Cable	UL2464 22AWG*5C, BLACK PVC JACKET	1
1	Connector	M12 male A-coding 5pin Connector	1
No.	PART NAME	DESCRIPTION	Q' TY

-TOLERANCES-  
UNLESS OTHERWISE  
SPECIFIED

UNLESS OTHERWISE SPECIFIED  
TOLERANCES FOR MILLIMETERS ARE:  
0.5 - 8mm ± 0.20mm  
8 - 30mm ± 0.25mm  
30 -120mm ± 0.30mm



**RENHOTEC GROUP**



PART DESCRIPTION: R/A M12 A-Coding 5P male					
Appr: JIM.KING		P/N: EB-400-2357			
Check:	Date	Scale	Unit	Type	Page
Draw: DING	2024.03.15	Free	MM	Z	1/1