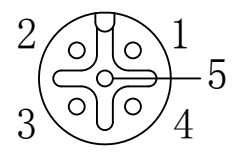
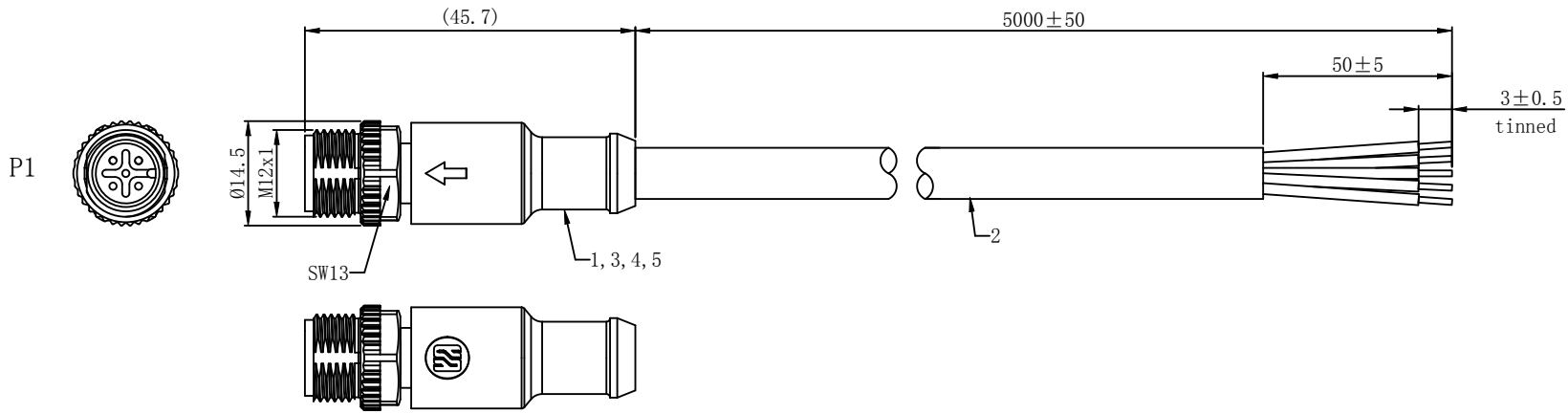




ISSUE	DESCRIPTION	DWN	DATE	APPROVEN
R1.0	First issue	Ding	2024.08.06	JIM.KING



Pin Assignment
Front View

P1 Wire List

PIN 1	_____	brown
PIN 2	_____	white
PIN 3	_____	blue
PIN 4	_____	black
PIN 5	_____	grey

- Specifications:
- 1.IP rating: IP67 in locked condition
 - 2.Ambient temperature: -25℃~+85℃
 - 3.Mating endurance: >500cycles
 - 4.Rated voltage: 60V AC/DC
 - 5.Rated current:4A
 - 6.Contact resistance:≤5mΩ
 - 7.Insulation resistance:≥100 MΩ

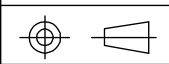
5	Molding	PVC, Black	1
4	Screw	Zinc, nickel plated	1
3	Contact	brass, gold plated	5
2	Cable	UL2464 22AWG*5C, Jacket:PVC black	1
1	Connector	M12 male A-coding 5pin Connector	1
No.	PART NAME	DESCRIPTION	Q' TY

-TOLERANCES-
UNLESS OTHERWISE
SPECIFIED

UNLESS OTHERWISE SPECIFIED
TOLERANCES FOR MILLIMETERS ARE:
0.5 - 8mm ± 0.20mm
8 - 30mm ± 0.25mm
30 -120mm ± 0.30mm



RENHOTEC GROUP



PART DESCRIPTION:
M12 A-Coding 5P male

Appr: JIM.KING

P/N: EB-400-2347

Check:

Date	Scale	Unit	Type	Page
2024.08.06	Free	MM	Z	1/1

Draw: DING

2024.08.06 Free MM Z 1/1