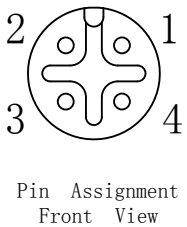
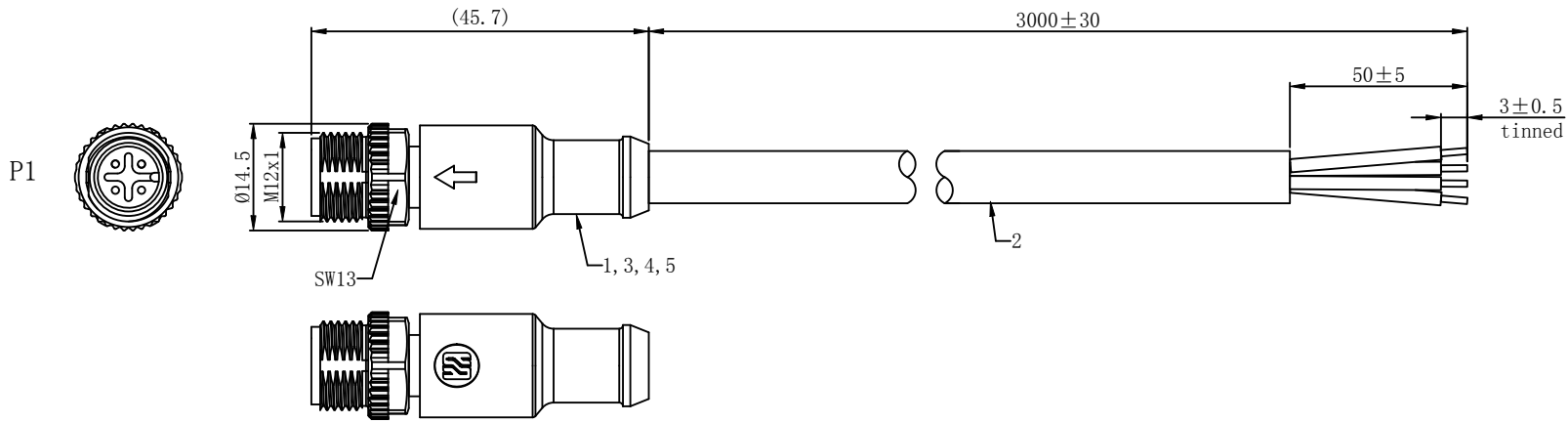




ISSUE	DESCRIPTION	DWN	DATE	APPROVEN
R1.0	First issue	Ding	2024.08.06	JIM.KING



Pin Assignment  
Front View

P1 Wire List

PIN 1	_____	brown
PIN 2	_____	white
PIN 3	_____	blue
PIN 4	_____	black

- Specifications:
- 1.IP rating: IP67 in locked condition
  - 2.Ambient temperature: -25°C~+85°C
  - 3.Mating endurance: >500cycles
  - 4.Rated voltage: 250V AC/DC
  - 5.Rated current:4A
  - 6.Contact resistance:≤5mΩ
  - 7.Insulation resistance:≥100 MΩ

5	Molding	PVC, Black	1
4	Screw	Zinc, nickel plated	1
3	Contact	brass, gold plated	4
2	Cable	UL2464 22AWG*4C, Jacket:PVC black	1
1	Connector	M12 male A-coding 4pin Connector	1
No.	PART NAME	DESCRIPTION	Q' TY

-TOLERANCES- UNLESS OTHERWISE SPECIFIED  UNLESS OTHERWISE SPECIFIED TOLERANCES FOR MILLIMETERS ARE: 0.5 - 8mm ± 0.20mm 8 - 30mm ± 0.25mm 30 -120mm ± 0.30mm	<b>RENHOTEC GROUP</b>	
	PART DESCRIPTION: M12 A-Coding 4P male	
Appr: JIM.KING	P/N: EB-400-2338	
Check:	Date: 2024.08.06	Scale: Free
Draw: DING	Unit: MM	Type: Z
	Page: 1/1	