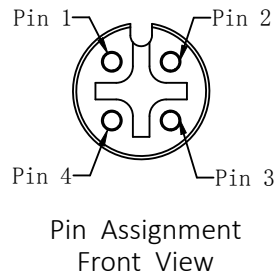
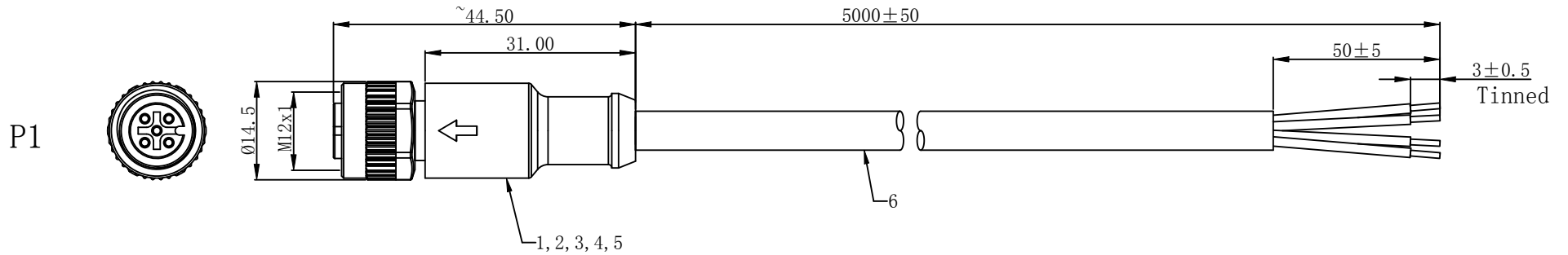




REV	DESCRIPTION	DWN	DATE	APPROVEN
R1.0	First issue	Ding	2024/06/07	JIM. KING



P1 Wire List

PIN 1	_____	brown
PIN 2	_____	white
PIN 3	_____	blue
PIN 4	_____	black

- Specifications:
- 1.IP rating: IP67
  - 2.Ambient temperature: -25°C~+80°C
  - 3.Mating endurance: >500cycles
  - 4.Rated voltage: 250V AC/DC
  - 5.Rated current:4A
  - 6.Contact resistance: ≤5mΩ
  - 7.Insulation resistance:≥100 MΩ

6	Cable	UL2464 22AWG*4C, Jacket:PVC Black	1
5	Molding	PVC, Black	1
4	Screw nut	Zinc,Nikel Flash	1
3	O-Ring	FKM, Green	1
2	Contact	Brass, Female Pin,Gold Flash	4
1	Connector	M12 Female 4pin Connector Insert	1
NO	PART NAME	DESCRIPTION	QTY

-TOLERANCES- UNLESS OTHERWISE SPECIFIED  UNLESS OTHERWISE SPECIFIED TOLERANCES FOR MILLIMETERS ARE: 0.5 - 8mm ± 0.20mm 8 - 30mm ± 0.25mm 30 -120mm ± 0.30mm	<b>RENHOTEC GROUP</b>				
	PART DESCRIPTION: M12 4P Female				
Appd: JIM. KING	P/N: EB-400-2335				
Check:	Date	Scale	Unit	Type	Page
Draw: Ding	2024.06.07	Free	MM	Z	1/1