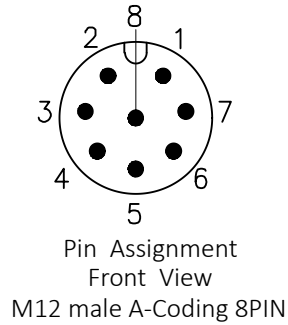
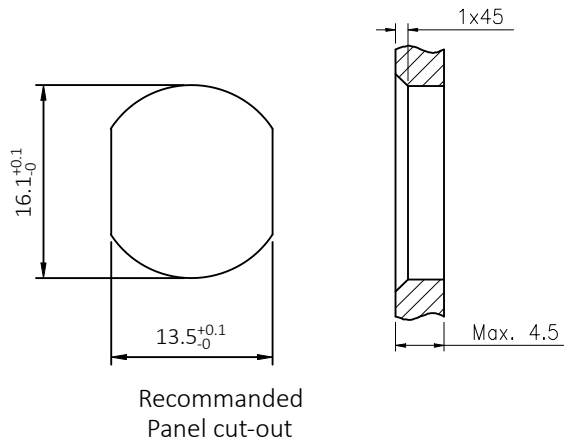
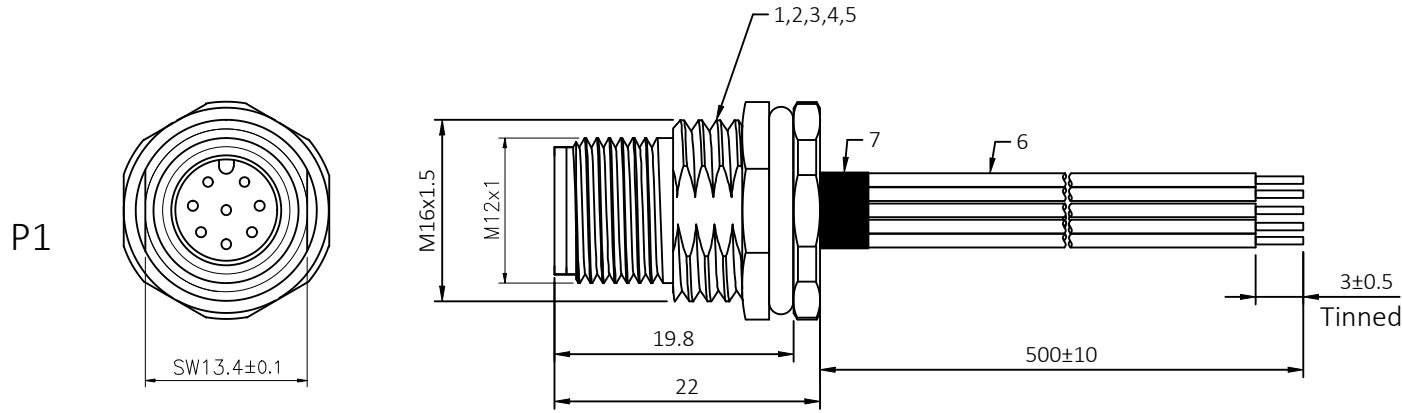




| ISSUE | DESCRIPTION | DWN  | DATE       | APPROVEN |
|-------|-------------|------|------------|----------|
| R1.0  | First issue | Ding | 2024.06.01 | JIM.KING |



**P1 Wire List**

|       |        |
|-------|--------|
| PIN 1 | WHITE  |
| PIN 2 | BROWN  |
| PIN 3 | GREEN  |
| PIN 4 | YELLOW |
| PIN 5 | GREY   |
| PIN 6 | PINK   |
| PIN 7 | BLUE   |
| PIN 8 | RED    |

- Specifications:**
- IP rating: IP67
  - Ambient temperature: -25°C~+85°C
  - Mating endurance: >100cycles
  - Rated voltage: 30V AC/DC
  - Rated current: 2A
  - Contact resistance: ≤5mΩ
  - Insulation resistance: ≥100 MΩ

|     |           |                                      |      |
|-----|-----------|--------------------------------------|------|
| 7   | Tube      | Heat shrink tube, Ø2.0*10mm, black   | 8    |
| 6   | Cable     | UL1007 AWG24                         | 8    |
| 5   | Nut       | Brass; Nickel plated                 | 1    |
| 4   | O-Ring    | Rubber, Black                        | 1    |
| 3   | Body      | M12 Male Shell, Brass; Nickel plated | 1    |
| 2   | Housing   | M12 8Pin male A-Coding, PA66, Black  | 1    |
| 1   | Pin       | Brass; Gold-plated                   | 8    |
| No. | PART NAME | DESCRIPTION                          | Q'TY |

|   |  |                  |
|---|--|------------------|
| -TOLERANCES-<br>UNLESS OTHERWISE<br>SPECIFIED   | <b>RENHOTEC GROUP</b>                    |                  |
|   | PART DESCRIPTION: M12 male A-Coding 8Pin |                  |
| UNLESS OTHERWISE SPECIFIED<br>TOLERANCES FOR MILLIMETERS ARE:<br>0.5 - 8mm ± 0.20mm<br>8 - 30mm ± 0.25mm<br>30 - 120mm ± 0.30mm | Appr: JIM.KING                           | P/N: EB-400-2106 |
|   | Check:                                   | Date             |
|   | Draw: DING                               | 2024.06.01       |
|   | Scale                                    | Unit             |
|   | Type                                     | Page             |
|   | Free                                     | MM               |
|   | Z  | 1/1              |