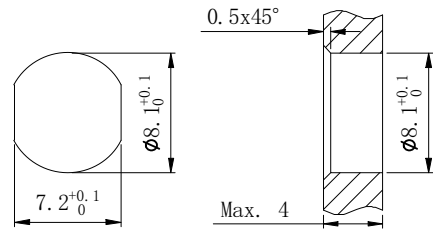
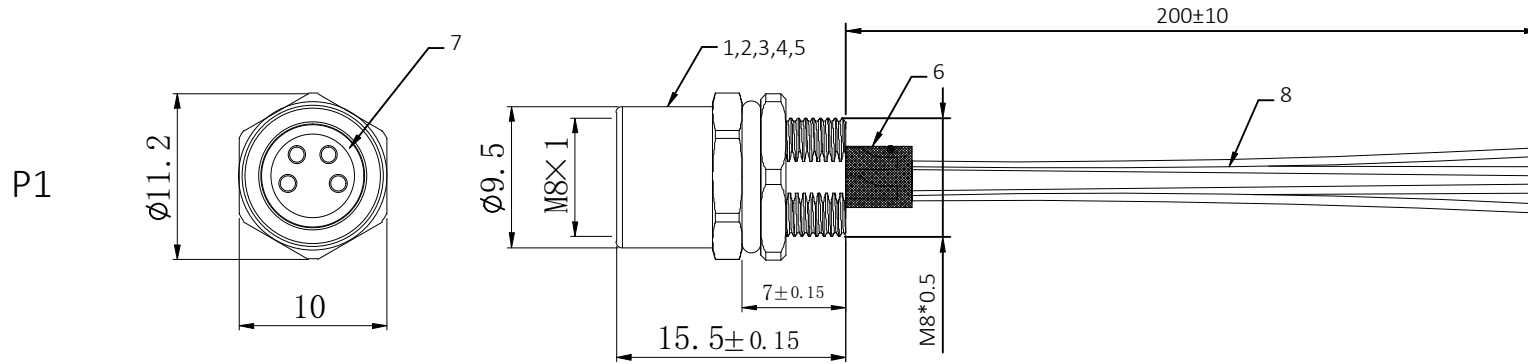
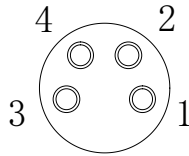




ISSUE	DESCRIPTION	DWN	DATE	APPROVEN
R1.0	First issue	Ding	2024/06/01	JIM.KING



Recommended Panel cut-out



Pin Assignment Front View
M8 female A-Coding 4PIN

P1	Wire List
PIN 1	BROWN
PIN 2	WHITE
PIN 3	BLUE
PIN 4	BLACK

- Technical specifications:
1. Rated voltage/current: 60V/3A
 2. Degree of protection: IP67
 3. Temperature range: -20°C~+85°C
 4. Mating cycles: >500

8	Cable	UL1007 AWG24	1
7	O-Ring	Rubber, Black	1
6	Tube	Heat shrink tube, Ø2.0*10mm black	4
5	Nut	Brass; Nickel plated	1
4	O-Ring	Rubber, Black	1
3	Body	M8 female Shell, Brass; Nickel plated	1
2	Housing	M8 4Pin Female A-Coding, PA66, Black	1
1	Pin	Brass; Gold-plated	4
No.	PART NAME	DESCRIPTION	Q'TY

-TOLERANCES- UNLESS OTHERWISE SPECIFIED	RENHOTEC GROUP				
	PART DESCRIPTION: M8 Female A-Coding 4Pin (Rear fastened)				
UNLESS OTHERWISE SPECIFIED TOLERANCES FOR MILLIMETERS ARE: 0.5 - 8mm ± 0.20mm 8 - 30mm ± 0.25mm 30 - 120mm ± 0.30mm	Appr:	JIM.KING	P/N: EB-400-1272		
	Check:		Date	Scale	Unit
	Draw:	DING	2024.06.01	Free	MM
			Type	Z	Page
					1/1