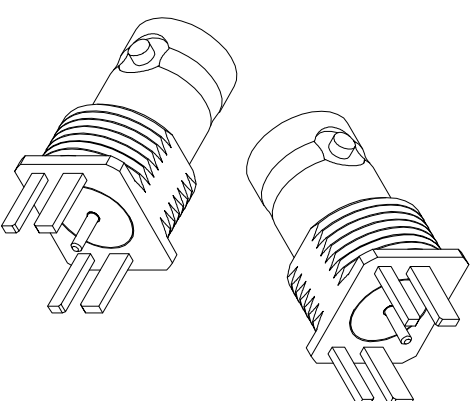
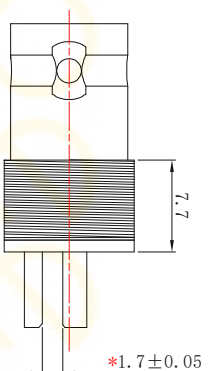
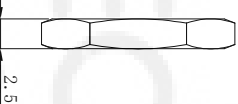
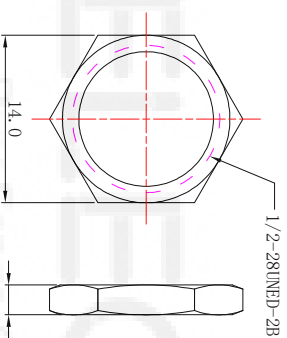
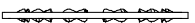
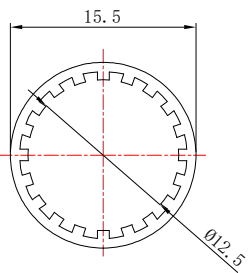
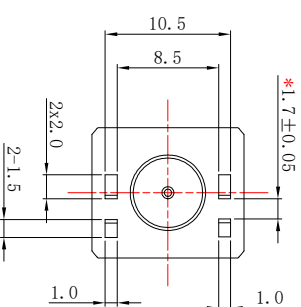
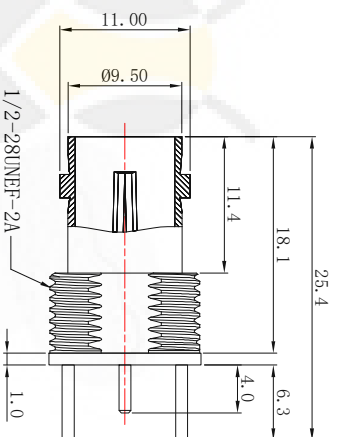
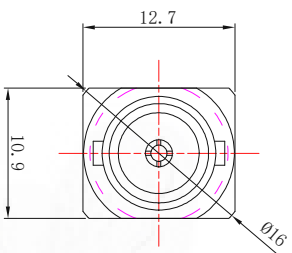
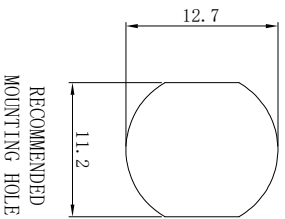




Product NO.		EB-001-0193	
REV	DESCRIPTION	DWN	DATE
RL.0	First Issue	Mr. Wang	2024/08/01
			APPROVEN
			JIM KING



Specifications
 Impedance: 75 Ohms
 Frequency Range: DC~6G
 VSWR: 1.5MAX
 Working Voltage: 500V rms @ sea level
 Insulation Resistance: 5000 MOhms min
 Temperature Range: -55°C TO +165°C

5	Nut	Brass	Nickel	1
4	Washer	Iron	Nickel	1
3	PIN	Brass	Gold	1
2	Insulator	PTFE	NONE	1
1	Booy	Brass	Nickel	1
NO	DESCRIPTION	MATERIAL	FINISH	QTY

-TOLERANCES-
 UNLESS OTHERWISE
 SPECIFIED



Buy From Original Factory
 www.elecbec.com

UNLESS OTHERWISE SPECIFIED
 TOLERANCES FOR MILLIMETERS ARE:
 0.5 - 8mm ± 0.20mm
 8 - 30mm ± 0.25mm
 30 - 120mm ± 0.30mm

Appd: JIM KING	PART DESCRIPTION:	75 Ohms BNC Jack PCB Mount Bulkhead		
Check: JIM KING	Date	Scale	Unit	Type
Draw: Gavin	2024.08.01	Free	MM	Z
				Page
				1/1